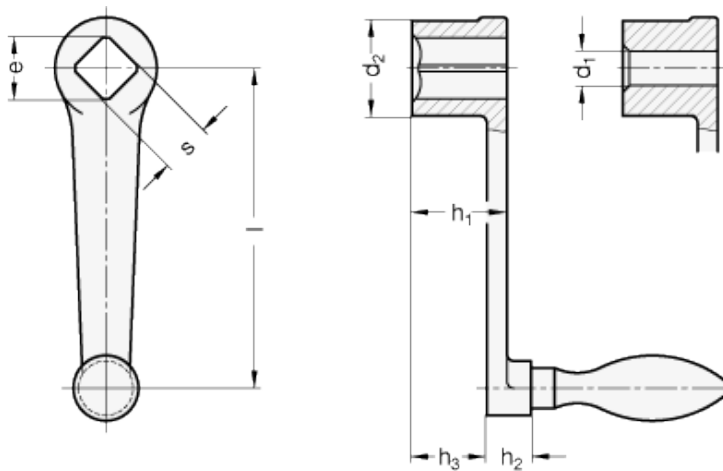


# DIN 469

Crank handles



## technical informations

### Material

Nodular deburred cast iron, black colour, matte finish epoxy resin coating.

### Assembly

- Version B: hub with H7 reamed through hole.
- Version V: hub with H11 square through hole in compliance with details for square [DIN 79](#).

### Handle

- Type D: turned and mirror-polished steel revolving handle [DIN 98](#).
- Type F: turned and mirror-polished steel fixed handle [DIN 39](#).

Standard Elements	Main dimensions						Mounting hole			Weight	
Description	l	d <sub>2</sub>	h <sub>1</sub>	h <sub>2</sub>	h <sub>3</sub>	∅	s <sub>H11</sub>	e <sub>min.</sub>	d <sub>1 H7</sub>	g	g
DIN 469-63-B6-*	63	20	20	11	15	16	-	-	B6	138	128

DIN 469-63-V10-*	63	20	20	11	15	16	V10	13.1	-	120	110
DIN 469-80-B8-*	80	24	24	13	18	18	-	-	B8	215	203
DIN 469-80-V10-*	80	24	24	13	18	18	V10	13.1	-	191	179
DIN 469-80-V12-*	80	24	24	13	18	18	V12	13.1	-	182	170
DIN 469-100-B10-*	100	28	28	13	21	20	-	-	B10	302	288
DIN 469-100-V12-*	100	28	28	13	21	20	V12	16.1	-	285	271
DIN 469-100-V14-*	100	28	28	13	21	20	V14	16.1	-	278	264
DIN 469-125-B10-*	125	34	34	14	26	22	-	-	B10	472	458
DIN 469-125-V14-*	125	34	34	14	26	22	V14	18.1	-	448	434
DIN 469-125-V17-*	125	34	34	14	26	22	V17	18.1	-	428	414
DIN 469-160-B14-*	160	38	38	14	29	25	-	-	B14	687	677
DIN 469-160-V17-*	160	38	38	14	29	25	V17	22.2	-	652	642
DIN 469-160-V19-*	160	38	38	14	29	25	V19	22.2	-	614	604
DIN 469-200-B17-*	200	44	44	21	34	28	-	-	B17	1044	1021
DIN 469-200-V19-*	200	44	44	21	34	28	V19	25.2	-	1021	998
DIN 469-200-V22-*	200	44	44	21	34	28	V22	25.2	-	998	970
DIN 469-250-B17-*	250	48	48	21	36	32	-	-	B17	1420	1412
DIN 469-250-V22-*	250	48	48	21	36	32	V22	28.2	-	1340	1332
DIN 469-250-V24-*	250	48	48	21	36	32	V24	28.2	-	1289	1281

\* Complete the description of the standard item needed by adding the type of handle D or F.



ELESA and GANTER models all rights reserved in accordance with the law. Always mention the source when reproducing our drawings.

STANDARD MACHINE ELEMENTS WORLDWIDE